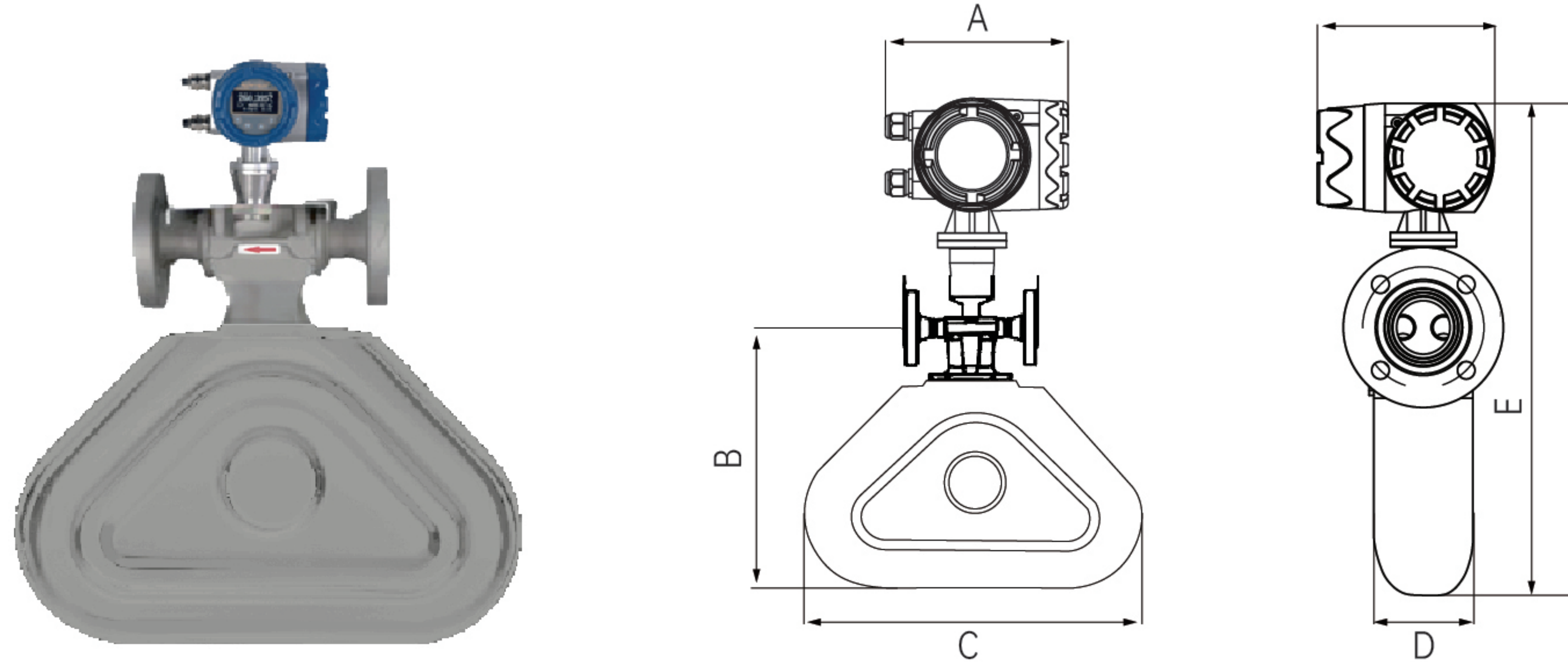


# The Series KF900T-FA Coriolis Mass Flowmeters

Pipe sizes from 8 to 40 mm, A-tube design with flange connections, explosion-proof



The Series KF900T-FA Coriolis Mass Flowmeters employ advanced DSP digital signal processing and fully digital drive technology, significantly enhancing flow stability. The display features a large OLED screen for smoother, clearer visuals that remain stable even at low temperatures. The instrument supports real-time self-diagnosis, monitoring various issues and providing alarms. Additionally, it includes multiple signal interfaces such as current, pulse, and RS485, along with various functional options to accommodate different working conditions. A capacitive button design allows convenient operation without needing to open the converter's cover. V-tube design, small size and light weight, saves installation space, cost and time.

## FEATURES

- High accuracy, 0.1% of reading
- A-tube design, compact size, lightweight
- Integral welding structure, sturdy and durable
- Explosion-proof Ex d IIC T6 Gb
- Accurate measurement even when the medium contains gases
- Fast and comprehensive digital signal processing
- High-precision density measurement
- No crosstalk: unaffected by installation and process conditions

## APPLICATIONS

- Petrochemical Industry
- Metallurgical Industry
- Textile Industry
- Pharmaceutical Industry
- Semiconductor Industry
- Food and Beverage Industry
- Papermaking and Pulp
- Power Plants
- Urban Water Supply and Drainage
- Environmental Protection
- New Energy Industry
- Shipbuilding Industry

SPECIFICATIONS	
<b>Service</b>	Liquids, including highly viscous media, non-homogeneous mixtures, and media with solid content or entrained gas
<b>Pipe Size</b>	8mm to 40mm
<b>Material</b>	316L
<b>Accuracy</b>	±0.1%, ±0.15%, ±0.2%, ±0.3%RD within the range
<b>Temperature Limit</b>	-50°C to 100°C for integral display; -50°C to 125°C for integral display high-temperature option; -150°C to 250°C for remote display
<b>Pressure Rating</b>	PN40, optional PN63
<b>Enclosure Rating</b>	IP67, optional IP68 (remote)
<b>Output</b>	4-20mA + pulse
<b>Communication</b>	HART or RS-485
<b>Display</b>	OLED, Size 58mm x 29mm
<b>Display Units</b>	Mass flow: kg/s, kg/m, kg/h, t/s, t/m, t/h; mass totalizer flow: kg, t, volume flow: L/s, L/m, L/h, m³/s, m³/m, m³/h; volume totalizer flow: L, m³; density: g/cm³, g/L, kg/L, kg/m³
<b>Power Supply</b>	18-265 V AC or 18-36 V DC
<b>Process Connection</b>	DIN Flange, ANSI flange, JIS Flange
<b>Explosion Rating</b>	Ex d IIC T6 Gb
<b>Converter Size</b>	181.5mm x 171mm x 141mm
<b>Converter Weight</b>	1.35 Kg

MODEL CHART							
Example	KF900T-FA	-15	-A1	-DIN	-H	-10	-EXP
<b>Series</b>	KF900T-FA						Coriolis Mass Flowmeters
<b>Pipe Size</b>		8					DN8, Normal flow: 19kg/h, Max: 28kg/h, zero stability: 0.0005kg/h; A x B x C x D x E x F = 361x183x216x54x504x174mm
		10					DN10, Normal flow: 96kg/h, Max: 110kg/h, zero stability: 0.0024kg/h; A x B x C x D x E x F = 361x183x216x54x504x174mm
		15					DN15, Normal flow: 270kg/h, Max: 310kg/h, zero stability: 0.0068kg/h; A x B x C x D x E x F = 361x183x216x54x504x174mm
		20					DN20, Normal flow: 1000kg/h, Max: 1420kg/h, zero stability: 0.025kg/h; A x B x C x D x E x F = 163x219x279x53x548x174mm
		25					DN25, Normal flow: 3000kg/h, Max: 4200kg/h, zero stability: 0.075kg/h; A x B x C x D x E x F = 191x306x410x69x640x174mm
		32					DN32, Normal flow: 7700kg/h, Max: 11000kg/h, zero stability: 0.19kg/h; A x B x C x D x E x F = 210x350x466x82x686x174mm
		40					DN40, Normal flow: 15200kg/h, Max: 21600kg/h, zero stability: 0.38kg/h; A x B x C x D x E x F = 210x420x569x111x759x174mm
<b>Converter Type</b>			A1				Integral display (-50°C to 100°C)
			A2				Integral display with high-temperature rating (-50°C to 125°C)
			B2				Remote display (-150°C to 250°C)
<b>Process Connection</b>				DIN			DIN Flange
				ANSI			ANSI Flange
				JIS			JIS Flange
<b>Output</b>					R		4-20mA + Pulse + RS485
					H		4-20mA + Pulse + HART
<b>Accuracy</b>						10	0.1% Reading of the Range
						15	0.15% Reading of the Range
						20	0.2% Reading of the Range
						30	0.3% Reading of the Range
<b>Options</b>						EXP	Explosion Proof, Ex d IIC T5 Gb
						HP	High pressure rating to PN63
						LF	Low flow measurement, please consult the factory
						IP68	IP68 (Remote only)